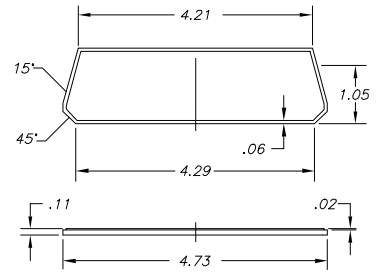
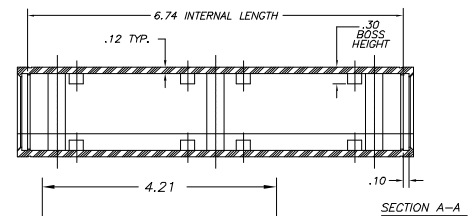
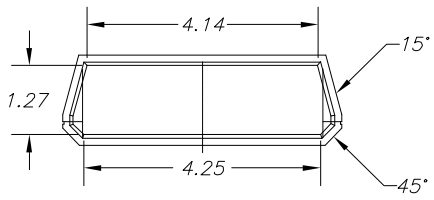
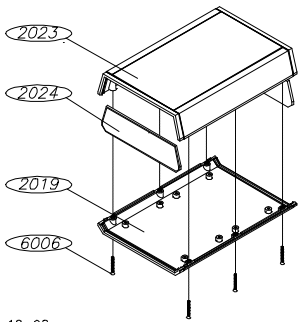
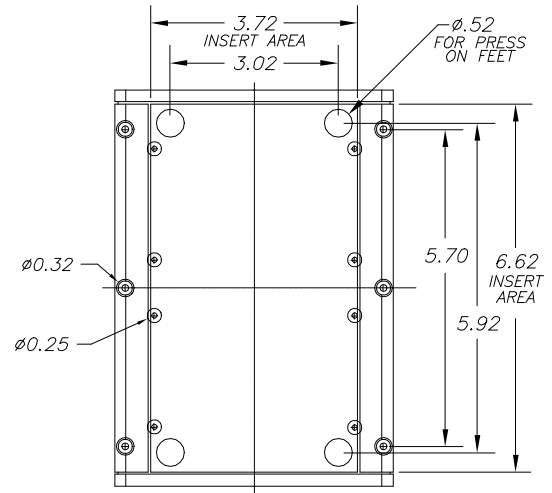
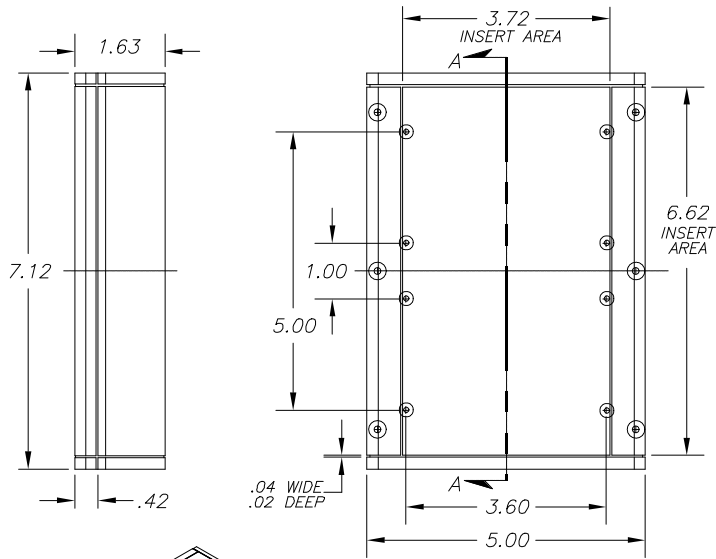


SERPAC A-42

Electronics Enclosures

NOTES:
 1. WHEN MACHINE OR I PLATES MODIFICATIONS ARE REQUIRED, USE THE CENTER OF THE BOX TO DIMENSION.



10-12-98

ALL DIMENSIONS ±.010

| PART NO. | DESCRIPTION | PART NO. | ACCESSORIES |
|----------|-------------------|----------|--------------------------------|
| 2023 | PLASTIC TOP | 51 | PRESS ON FEET |
| 2024 | PLASTIC END PANEL | 2024IR | INFRARED PANELS |
| 2019 | PLASTIC BOTTOM | 2024CL | CLEAR & TRANSPARENT RED PANELS |
| 6006 | SCREW | 2024DB9 | 9 PIN CONNECTOR |
| | | 2024DB25 | 25 PIN CONNECTOR |